

CURRENT/VOLTAGE MEASUR. MODULE; SET CURRENT 10...100A; VOLTAGE DETECTION UP TO 690V; OVERALL WIDTH 55MM; STRAIGHT-THROUGH CT



product brandname	SIRIUS
Product designation	Current/voltage measuring module

General technical data

Product function	
• Current measurement	Yes
• voltage measurement	Yes
• active power measurement	Yes
• Power measurement	Yes
• frequency measurement	No
Product component	
• input for thermistor connection	No
Insulation voltage	
• with degree of pollution 3 rated value	690 V
Surge voltage resistance rated value	6 000 V
Protection class IP	IP20
Shock resistance	
• acc. to IEC 60068-2-27	15g / 11 ms
Vibration resistance	1-6 Hz / 15 mm; 6-500 Hz / 2 g
Equipment marking	

- acc. to DIN EN 81346-2

F

Electromagnetic compatibility

EMC emitted interference	
<ul style="list-style-type: none"> • acc. to IEC 60947-1 	class A
Conducted interference	
<ul style="list-style-type: none"> • due to burst acc. to IEC 61000-4-4 	2 kV
<ul style="list-style-type: none"> • due to conductor-earth surge acc. to IEC 61000-4-5 	2 kV
<ul style="list-style-type: none"> • due to conductor-conductor surge acc. to IEC 61000-4-5 	1 kV
Field-bound parasitic coupling acc. to IEC 61000-4-3	10 V/m

Inputs/ Outputs

Number of outputs as contact-affected switching element	0
--	---

Protective and monitoring functions

Product function	
<ul style="list-style-type: none"> • power factor monitoring 	Yes
<ul style="list-style-type: none"> • voltage detection 	Yes

Motor protection functions

Product function	
<ul style="list-style-type: none"> • Current detection 	Yes
<ul style="list-style-type: none"> • Overload protection 	Yes

Installation/ mounting/ dimensions

Mounting position	any
Mounting type	screw and snap-on mounting
Height	94 mm
Width	55 mm
Depth	92 mm
Required spacing	
<ul style="list-style-type: none"> • top 	30 mm
<ul style="list-style-type: none"> • bottom 	30 mm
<ul style="list-style-type: none"> • left 	0 mm
<ul style="list-style-type: none"> • right 	0 mm

Connections/Terminals

Type of electrical connection	
<ul style="list-style-type: none"> • for main current circuit 	straight-through transformers
<ul style="list-style-type: none"> • for auxiliary and control current circuit 	screw-type terminals
Type of electrical connection at the measurement inputs for voltage	screw-type terminals
Type of connectable conductor cross-sections	

<ul style="list-style-type: none"> • at the measurement inputs for voltage finely stranded with core end processing 	1x (0.5 ... 2.5 mm ²), 2x (0.5 ... 1.5 mm ²)
<ul style="list-style-type: none"> • at the measurement inputs for voltage solid 	1x (0.5 ... 4 mm ²), 2x (0.5 ... 2.5 mm ²)
<ul style="list-style-type: none"> • at the measurement inputs for voltage at AWG conductors solid 	1x (20 ... 14), 2x (20 ... 14)
Tightening torque at measuring inputs for voltage	0.8 ... 1.2 N·m
Tightening torque [lbf·in] at measuring inputs for voltage	7 ... 10.3 lbf·in

Ambient conditions

Ambient temperature	
<ul style="list-style-type: none"> • during operation 	-25 ... +60 °C
<ul style="list-style-type: none"> • during storage 	-40 ... +80 °C
<ul style="list-style-type: none"> • during transport 	-40 ... +80 °C
Relative humidity	
<ul style="list-style-type: none"> • during operation 	5 ... 95 %

Short-circuit protection

Product function Short circuit protection	No
--	----

Main circuit

Number of poles for main current circuit	3
Adjustable pick-up value current of the current-dependent overload release	10 ... 100 A
Operating voltage	
<ul style="list-style-type: none"> • at AC <ul style="list-style-type: none"> — at 50 Hz rated value — at 60 Hz rated value 	110 ... 690 V 110 ... 690 V
Operating frequency rated value	50 ... 60 Hz

Control circuit/ Control

Type of voltage	AC
Type of voltage of the control supply voltage	AC

Certificates/approvals

General Product Approval	EMC	For use in hazardous locations
--------------------------	-----	--------------------------------



For use in hazardous locations	Declaration of Conformity	Test Certificates	Shipping Approval
--------------------------------	---------------------------	-------------------	-------------------

[Explosion Protection Certificate](#)



[Type Test Certificates/Test Report](#)

[Special Test Certificate](#)



Shipping Approval	other
-------------------	-------



[Confirmation](#)

[PROFIsafe-Certification](#)



Profibus

[PROFINET-Certification](#)

Further information

Information- and Downloadcenter (Catalogs, Brochures,...)

<http://www.siemens.com/industrial-controls/catalogs>

Industry Mall (Online ordering system)

<https://mall.industry.siemens.com/mall/en/en/Catalog/product?mlfb=3UF7112-1AA00-0>

Cax online generator

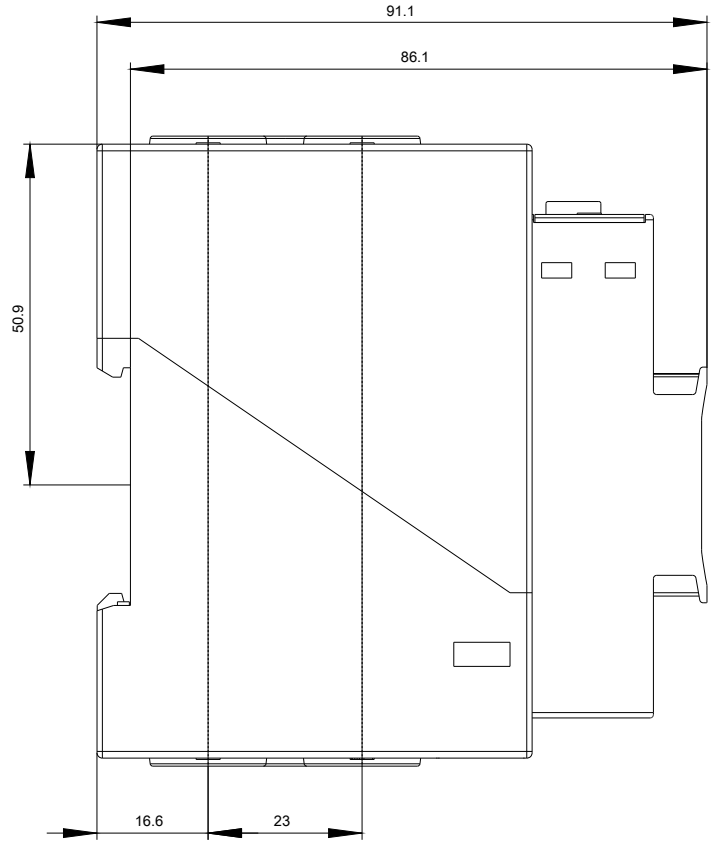
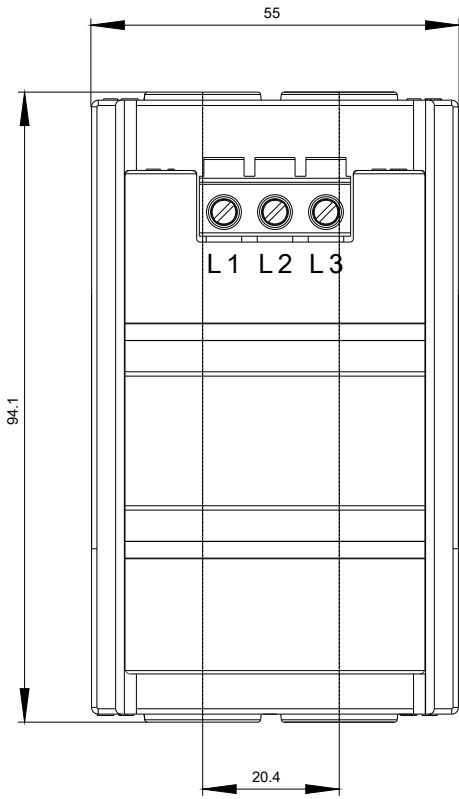
<http://support.automation.siemens.com/WW/CAXorder/default.aspx?lang=en&mlfb=3UF7112-1AA00-0>

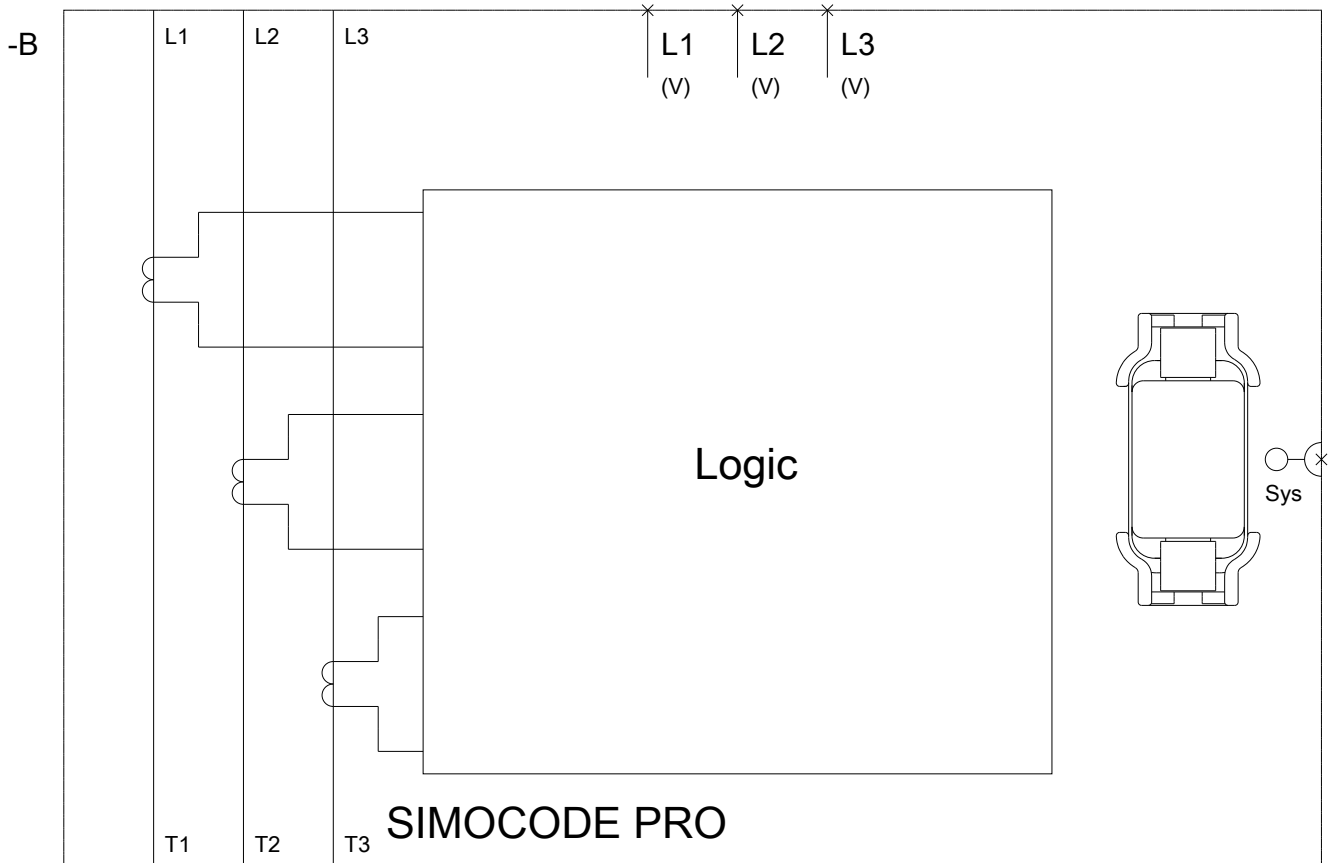
Service&Support (Manuals, Certificates, Characteristics, FAQs,...)

<https://support.industry.siemens.com/cs/ww/en/ps/3UF7112-1AA00-0>

Image database (product images, 2D dimension drawings, 3D models, device circuit diagrams, EPLAN macros, ...)

http://www.automation.siemens.com/bilddb/cax_de.aspx?mlfb=3UF7112-1AA00-0&lang=en





last modified:

07/07/2017